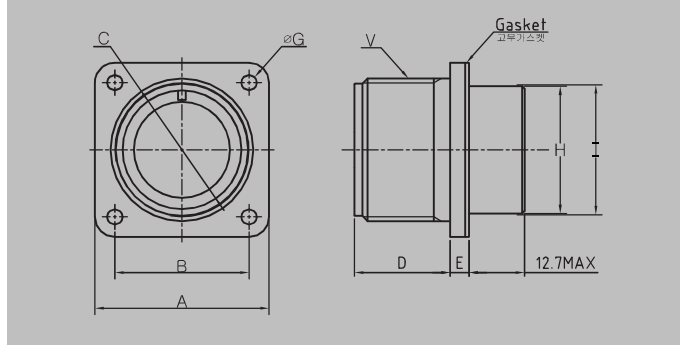


KD CONNECTORS [MIL-DTL-5015]

▶ KD3102A (MS3102A) – Box Mounting / 장비형 (상자 장착용)



	□A	□B	ØC	D	E	ØG	ØH	I	V	inch (mm)
Shell Size	±.031 (±0.79)	±.005 (±0.12)	+0.015 -0.000 (+0.38) (-0.00)	+0.031 -0.000 (+0.79) (-0.00)	±.001 (±0.02)	+0.010 -0.005 (+0.25) (-0.12)	+0.000 -0.188 (+0.00) (-4.77)	ref mounting hole	Tread-2A	
10SL	1.000 (25.40)	.719 (18.26)	.448 (11.38)	.562 (14.27)	.118 (3.00)	.120 (3.05)	.782 (19.86)	.812 (20.62)	5/8-24UNEF	
12S	1.094 (27.79)	.812 (20.62)	.557 (14.15)	.562 (14.27)	.118 (3.00)	.120 (3.05)	.782 (19.86)	.812 (20.62)	3/4-20UNEF	
12	1.094 (27.79)	.812 (20.62)	.557 (14.15)	.750 (19.05)	.118 (3.00)	.120 (3.05)	.782 (19.86)	.812 (20.62)	3/4-20UNEF	
14S	1.188 (30.18)	.906 (23.01)	.682 (17.32)	.562 (14.27)	.118 (3.00)	.120 (3.05)	.906 (23.01)	.938 (23.83)	7/8-20UNEF	
14	1.188 (30.18)	.906 (23.01)	.682 (17.32)	.750 (19.05)	.118 (3.00)	.120 (3.05)	.906 (23.01)	.938 (23.83)	7/8-20UNEF	
16S	1.281 (32.54)	.969 (24.61)	.807 (20.50)	.562 (14.27)	.118 (3.00)	.120 (3.05)	1.032 (26.21)	1.062 (26.97)	1-20UNEF	
16	1.281 (32.54)	.969 (24.61)	.807 (20.50)	.750 (19.05)	.118 (3.00)	.120 (3.05)	1.032 (26.21)	1.062 (26.97)	1-20UNEF	
18	1.375 (34.93)	1.062 (26.97)	.932 (23.67)	.750 (19.05)	.157 (4.00)	.120 (3.05)	1.156 (29.36)	1.188 (30.18)	1 1/8-18UNEF	
20	1.500 (38.10)	1.156 (29.36)	1.058 (26.87)	.750 (19.05)	.157 (4.00)	.120 (3.05)	1.282 (32.56)	1.312 (33.32)	1 1/4-18UNEF	
22	1.625 (41.28)	1.250 (31.75)	1.182 (30.02)	.750 (19.05)	.157 (4.00)	.120 (3.05)	1.406 (35.71)	1.438 (36.53)	1 3/8-18UNEF	
24	1.750 (44.45)	1.375 (34.93)	1.307 (33.20)	.812 (20.62)	.157 (4.00)	.147 (3.73)	1.532 (38.91)	1.562 (39.67)	1 1/2-18UNEF	
28	2.000 (50.80)	1.562 (39.67)	1.526 (38.76)	.812 (20.62)	.157 (4.00)	.147 (3.73)	1.782 (45.26)	1.812 (46.02)	1 3/4-18UNS	
32	2.250 (57.15)	1.750 (44.45)	1.776 (45.11)	.875 (22.23)	.157 (4.00)	.173 (4.39)	2.032 (51.61)	2.062 (52.37)	2-18UNS	
36	2.500 (63.50)	1.938 (49.23)	1.995 (50.68)	.875 (22.23)	.157 (4.00)	.173 (4.39)	2.282 (57.96)	2.312 (58.72)	2 1/4-16UN	