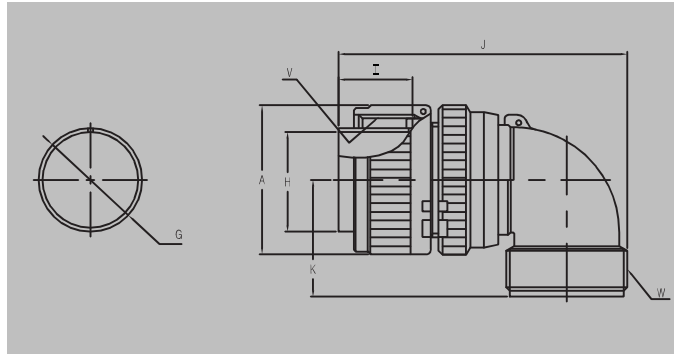


# KD CONNECTORS [MIL-DTL-5015]

## ▶ KD3108A (MS3108A) – 90° Angle Plug / 플러그형 (90°용)



Shell Size	ØA	ØG	ØH	I	J	K	V	W
	MAX	+0.00 -0.15 (+0.00) (-0.38)	MIN	±.005 (±0.12)	MAX	MAX	Tread-2B	Tread-2A
10SL	.969 (24.61)	.446 (11.33)	.323 (8.20)	.531 (13.49)	1.812 (43.02)	1.000 (25.40)	5/8-24UNEF	5/8-24UNEF
12S	1.062 (26.97)	.555 (14.10)	.450 (11.43)	.531 (13.49)	2.000 (50.80)	1.062 (26.97)	3/4-20UNEF	5/8-24UNEF
12	1.062 (26.97)	.555 (14.10)	.450 (11.43)	.719 (18.26)	2.250 (57.15)	1.062 (26.97)	3/4-20UNEF	5/8-24UNEF
14S	1.156 (29.36)	.675 (17.15)	.526 (13.36)	.531 (13.49)	2.125 (53.98)	1.125 (28.58)	7/8-20UNEF	3/4-20UNEF
14	1.156 (29.36)	.675 (17.15)	.526 (13.36)	.719 (18.26)	2.312 (58.72)	1.125 (28.58)	7/8-20UNEF	3/4-20UNEF
16S	1.250 (31.75)	.805 (20.45)	.651 (16.54)	.531 (13.49)	2.375 (60.33)	1.188 (30.18)	1-20UNEF	7/8-20UNEF
16	1.250 (31.75)	.805 (20.45)	.651 (16.54)	.719 (18.26)	2.562 (65.07)	1.188 (30.18)	1-20UNEF	7/8-20UNEF
18	1.344 (34.14)	.930 (23.62)	.776 (19.71)	.719 (18.26)	2.688 (68.28)	1.312 (33.32)	1 1/8-18UNEF	1-20UNEF
20	1.469 (37.31)	1.050 (26.67)	.932 (23.67)	.719 (18.26)	3.031 (76.99)	1.375 (34.92)	1 1/4-18UNEF	1 3/16-18UNEF
22	1.594 (40.49)	1.175 (29.85)	1.026 (26.06)	.719 (18.26)	3.031 (76.99)	1.375 (34.92)	1 3/8-18UNEF	1 3/16-18UNEF
24	1.719 (43.66)	1.300 (33.02)	1.151 (29.24)	.719 (18.26)	3.406 (86.51)	1.562 (39.67)	1 1/2-18UNEF	1 7/16-18UNEF
28	1.969 (50.01)	1.520 (38.61)	1.370 (34.80)	.719 (18.26)	3.406 (86.51)	1.562 (39.67)	1 3/4-18UNS	1 7/16-18UNEF
32	2.219 (56.36)	1.770 (44.96)	1.620 (41.15)	.719 (18.26)	3.750 (95.25)	1.875 (47.63)	2-18UNS	1 3/4-18UNS
36	2.469 (62.71)	1.980 (50.29)	1.838 (46.69)	.719 (18.26)	3.938 (100.03)	2.062 (52.37)	2 1/4-16UN	2-18UNS